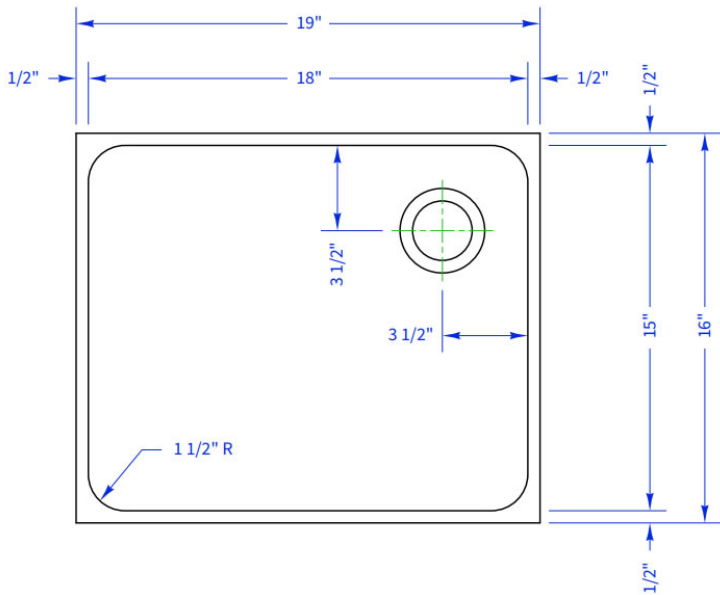


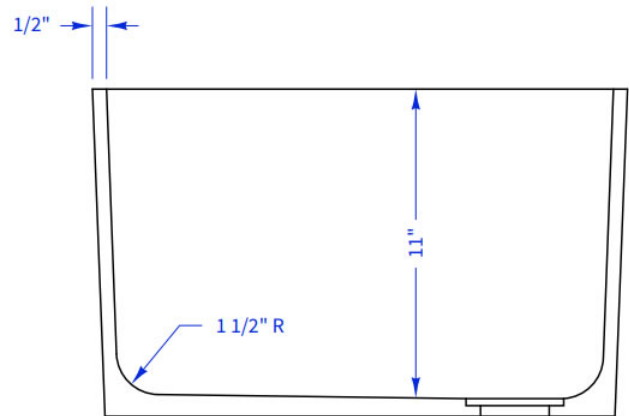
Sink Model: U30

ID Size: 18" L x 15" W x 11" D

TOP VIEW



SIDE VIEW



UNDERMOUNT EPOXY RESIN SINKS:

Durcon epoxy resin undermount sinks, supplied by EpoxySinks.com, have been installed in school and industry laboratories for over 40 years. High chemical resistance, long-term durability and the widest selection of sizes, make Durcon's Epoxy Resin Undermount Sinks, the industry standard.

Use adjustable support system as recommended by sink supplier. All under counter mount epoxy resin sinks are to be supported below by metal frame and hanger bracket systems.



Colors:

Industry Standard Black. Up-charge for Dark Khaki, Graphite, Gray, Tan, Lunar White & Custom Colors.

