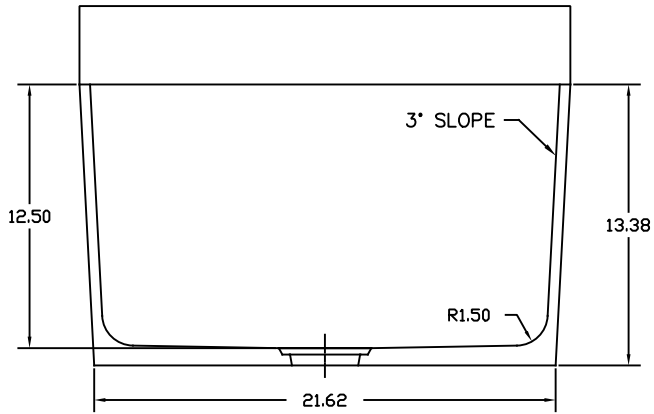
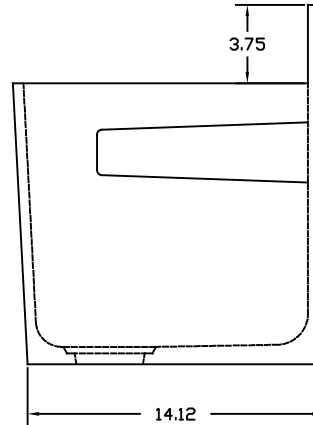


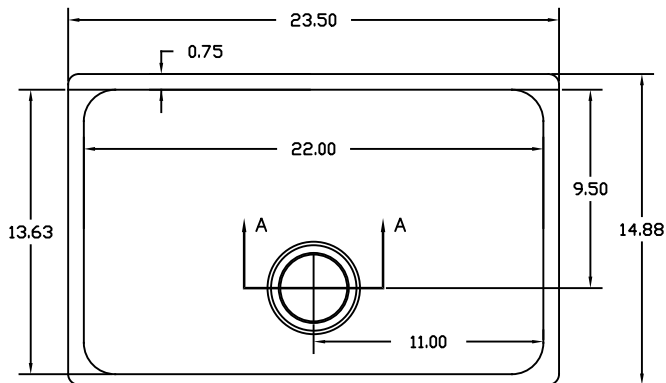
DURCONTM INCORPORATED



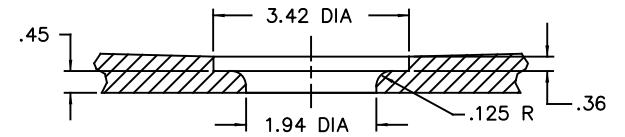
FRONT VIEW



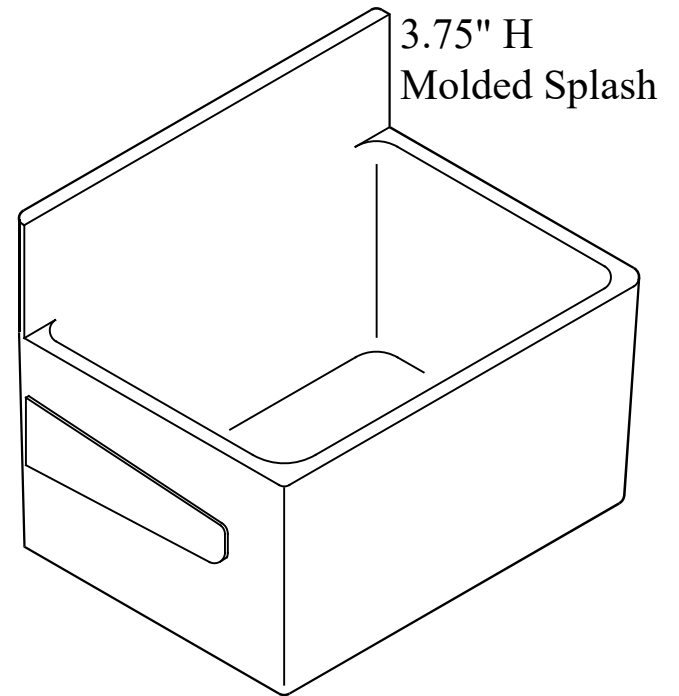
SIDE VIEW



TOP VIEW



DRAIN OPENING DETAIL
SECTION A-A



ISOMETRIC VIEW

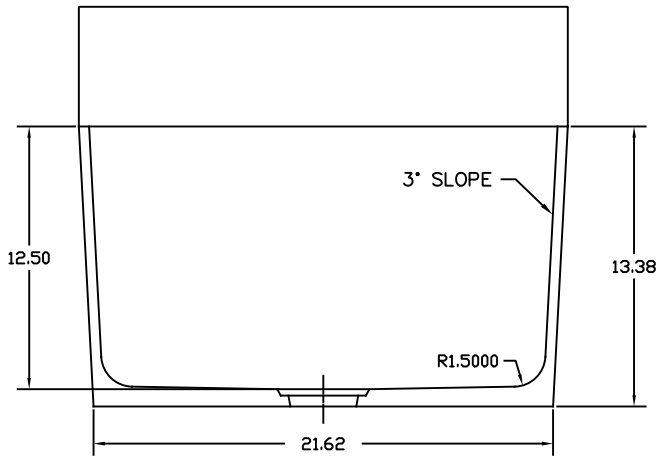
"DIMENSIONS ARE NOMINAL, PROVIDED FOR PLANNING PURPOSES ONLY.
CONTACT DURCON FOR RECOMMENDED SINK CUTOUT DIMENSIONS TO INSURE A QUALITY INSTALLATION."

SINK	WEIGHT	OUTLET LOCAL.	CODE
E46	77 LBS	FRONT	SNKE-46

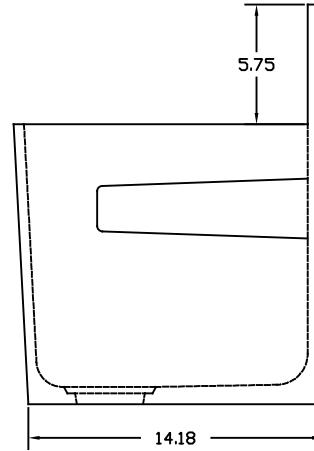
**FACTORY
TAYLOR TX**

DATE: 04/23/12
SCALE: 1=1
DRAWN: BKT
FILE: E46.DWG

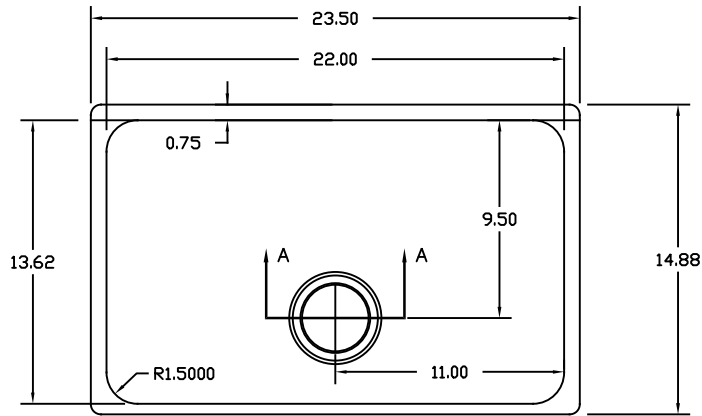
DURCONTM INCORPORATED



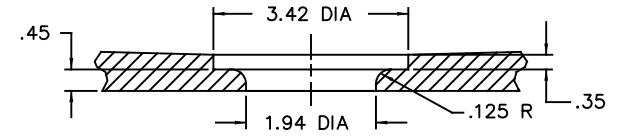
FRONT VIEW



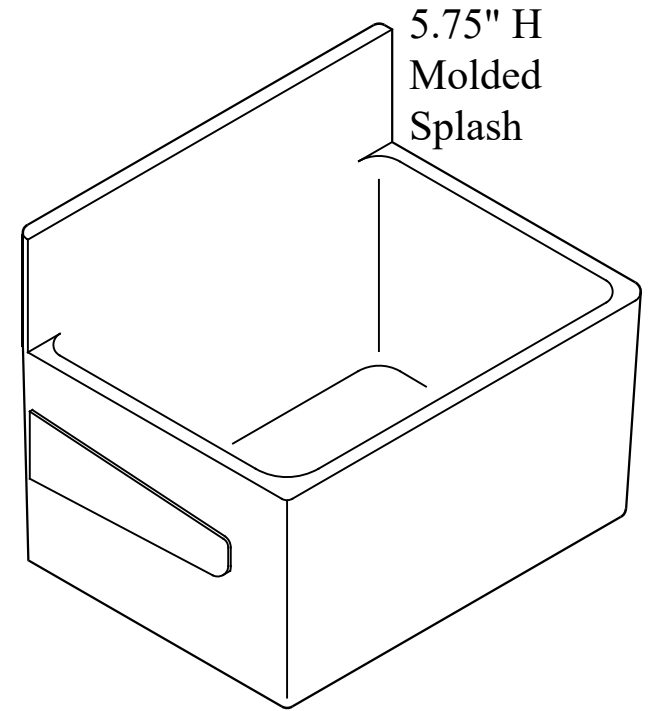
SIDE VIEW



TOP VIEW



DRAIN OPENING DETAIL
SECTION A-A



ISOMETRIC VIEW

5.75" H
Molded
Splash

"DIMENSIONS ARE NOMINAL, PROVIDED FOR PLANNING PURPOSES ONLY.
CONTACT DURCON FOR RECOMMENDED SINK CUTOUT DIMENSIONS TO INSURE A QUALITY INSTALLATION."

SINK	WEIGHT	OUTLET LOCAL.	CODE	FACTORY TAYLOR TX
E47	77 LBS	FRONT	SNKE-47	

DATE: 04/23/12
SCALE: 1=1
DRAWN: BKT
FILE: E47.DWG